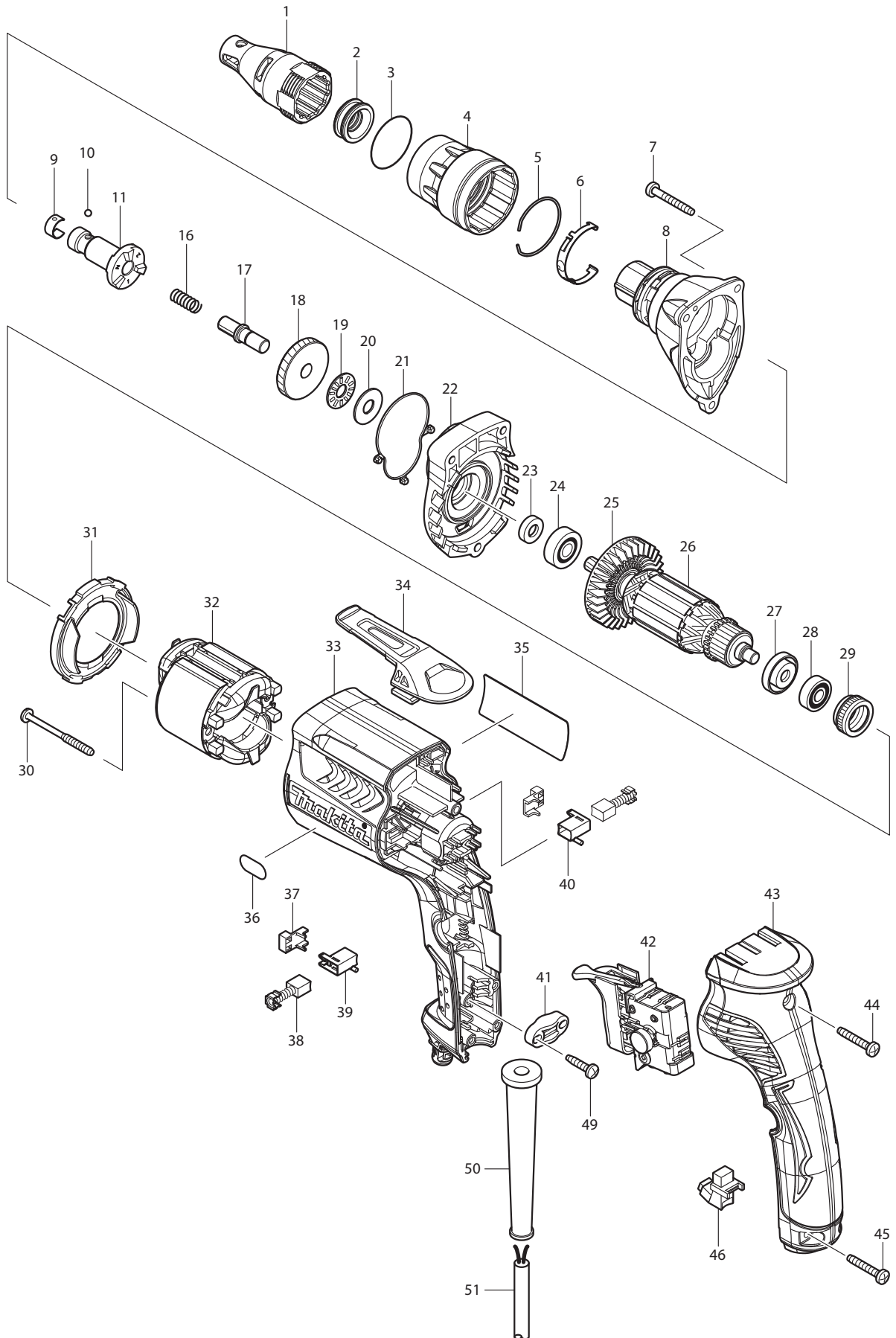




08 - 2010

FS4200

1/4" DRYWALL SCREWDRIVER



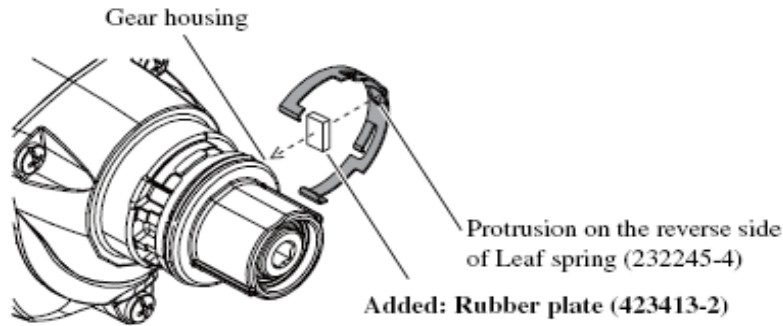
Item No	Type	Ref	Part No	Description	Qty	Unit
001			158876-0	LOCATOR L COMPLETE	1	PC.
002			424163-2	DUST SEAL SLEEVE	1	PC.
003			424235-3	SEAL RING 30	1	PC.
004	2		455591-0	LOCK RING	1	PC.
005	2		234293-9	RING SPRING 32	1	PC.
006			232245-4	LEAF SPRING	1	PC.
007			266361-0	TAPPING SCREW 4X30	3	PC.
008	2		142154-8	GEAR HOUSING HNB COMPLETE	1	PC.
009			232050-9	LEAF SPRING	1	PC.
010			216001-0	STEEL BALL 3.5	1	PC.
011			324983-3	SPINDLE 125N	1	PC.
016			233126-5	COMPRESSION SPRING 6	1	PC.
017			268229-6	COLLARED PIN 8	1	PC.
018	2		227769-3	HELICAL GEAR 41N	1	PC.
019			216415-3	THRUST NEEDLE CAGE 821	1	PC.
020			216212-7	WASHER 821	1	PC.
021			424162-4	SEAL RING	1	PC.
022			158874-4	GEAR HOUSING COVER COMPLETE	1	PC.
023			451099-2	RING 7	1	PC.
024			210007-0	BALL BEARING 608VV	1	PC.
025			240083-0	FAN 52	1	PC.
026			515756-7	ARMATURE ASSEMBLY 115V	1	PC.
		INC.	*****	Item No. 23-25, 27, 28	1	PC.
027			681636-0	INSULATION WASHER	1	PC.
028			210062-2	BALL BEARING 607ZZ	1	PC.
029			421868-5	LABYRINTH RUBBER RING 19	1	PC.
030			266467-4	TAPPING SCREW 4X50	2	PC.
031			450880-8	BAFFLE PLATE	1	PC.
032			633691-8	FIELD 115V	1	PC.
033			450877-7	MOTOR HOUSING S	1	PC.
034			162272-6	HOOK	1	PC.
035			866588-8	FS4200 NAME PLATE	1	PC.
036			808575-1	4000RPM INDICATION LABEL	1	PC.
037			689111-0	SPACER	2	PC.
038			195007-0	CARBON BRUSH CB-407 2PC/SET, W/O ORIGIN	1	SET
039			643948-9	BRUSH HOLDER	1	PC.
040			643951-0	BRUSH HOLDER	1	PC.
041			687123-7	STRAIN RELIEF	1	PC.
042			650614-1	SWITCH	1	PC.
043			158877-8	HANDLE COVER S COMPLETE	1	PC.
		INC.	263002-9	RUBBER PIN 4	2	PC.
044			266374-1	TAPPING SCREW 4X25	1	PC.
045			266374-1	TAPPING SCREW 4X25	2	PC.
046	2		631938-4	LIGHT CIRCUIT	1	PC.
049			265995-6	TAPPING SCREW 4X18	2	PC.
050			682559-5	CORD GUARD 8	1	PC.
051			664891-9	CORD WITH PLUG 2P-18-2.5M SJ	1	PC.
052			892811-5	CLEAR LABEL (Added)	1	PC.
053			423413-2	RUBBER PLATE (Added)	1	PC.
054			213696-0	O RING 26 (Added)	1	PC.
100			654121-6	TAB	4	PC.
101			654593-5	SPLICE	6	PC.
C01	2		870492-5	CARTON F/FS4200	1	PC.

Item No	Type	Ref	Part No	Description	Qty	Unit
<u>ACCESSORIES</u>						
- See catalogue or visit www.makita.ca for more optional accessories -						
A01			B-24125	DRIVER BIT PH2 1" 3/SET	1	SET
			B-24935	DRIVER BIT PH2 1" 100/SET IN JAR	1	SET
			B-25018	DRIVER BIT PH2 1" 100/SET IN BAG	1	SET
			A-96469	IMPACTX BIT PH2 1" 2/SET	1	SET
			A-96475	IMPACTX BIT PH2 1" 50/SET IN BAG	1	SET
			784213-8	PHILLIPS INSERT BIT 3-25	1	PC.
			784261-7	+ BIT 2-25	2	PC.
A02			A-96942	IMPACTX MAGNETIC BIT HOLDER 3"	1	PC.
			A-96992	IMPACTX MAGNETIC BIT HOLDER 3"	1	PC.
			A-99281	IMPACTX MAGNETIC BIT HOLDER 3" 10/SET	1	SET
			A-99312	IMPACTX MAGNETIC BIT HOLDER 3" 10/SET	1	SET
			784801-1	MAGNETIC BIT HOLDER 6.35-76	1	PC.
A03			B-52451	MAGNETIC BIT HOLDER 2-3/8"	1	PC.
			A-96920	IMPACTX MAGNETIC BIT HOLDER 2-3/8"	1	PC.
			A-96970	IMPACTX 1PC MAGNETIC BIT HOLDER 2-3/8"	1	PC.
			A-96936	IMPACTX MAGNETIC BIT HOLDER 2-3/8"	1	PC.
			A-96986	IMPACTX 1PC MAGNETIC BIT HOLDER 2-3/8" 10/SE IN BAG	1	SET
			784807-9	MAGNETIC CONNECT BIT 6.35-60	1	PC.
A04			B-45076	MAGNETIC NUTSETTER 1/4"	1	PC.
			A-97112	IMPACTX MAGNETIC NUTSETTER 1/4"	1	PC.
			A-97128	IMPACTX MAGNETIC NUTSETTER 1/4" 10/SE IN BAG	1	PC.
A05			B-45082	MAGNETIC NUTSETTER 5/16"	1	PC.
			A-97162	IMPACTX MAGNETIC NUTSETTER 5/16"	1	PC.
			A-97178	IMPACTX MAGNETIC NUTSETTER 5/16" 10/SE IN BAG	1	SET
A06			B-45098	MAGNETIC NUTSETTER 3/8"	1	PC.
			A-97215	IMPACTX MAGNETIC NUTSETTER 3/8"	1	PC.
			A-97221	IMPACTX MAGNETIC NUTSETTER 3/8" 10/SE IN BAG	1	SET
A07			B-45107	MAGNETIC NUTSETTER 7/16"	1	PC.
			A-97259	IMPACTX MAGNETIC NUTSETTER 7/16"	1	PC.
			A-99493	IMPACTX MAGNETIC NUTSETTER 7/16 10/SE IN BAG	1	SET
A08			824890-5	PLASTIC CARRYING CASE	1	PC.
		INC.	163455-1	LATCH	2	PC.
		INC.	419360-3	HANDLE	1	PC.
B01			197024-6	LOCATOR L SET	1	PC.
		INC.		INC. 1-4		

SERVICE CHANGES

1. Addition of Rubber Plate

Item No.	Description	Type1	Type2
53	Rubber Plate	----	423413-2



(T/I# 86789)

2. Changed on Gear Housing and Ring Spring

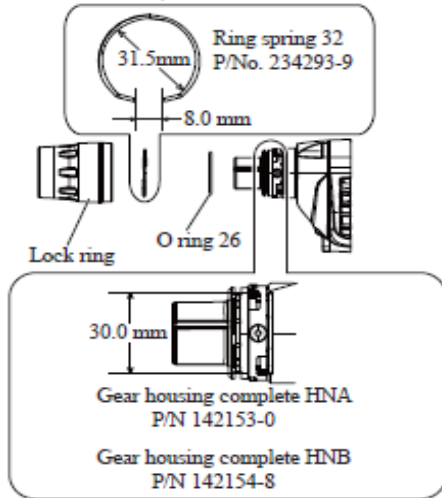
Addition of O Ring

Item No.	Description	Type1	Type2
5	Ring Spring 33	233974-2	234293-9
8	Gear Housing HNB Complete	158880-9	142154-8
54	O ring 26	----	213696-0

Type 2

Assemble the following parts in order.

1. O ring 26
 2. Ring spring 32
 3. Lock ring
- (added: P/N 213696-0)



(T/I# 98036)